

# Technical Specifications

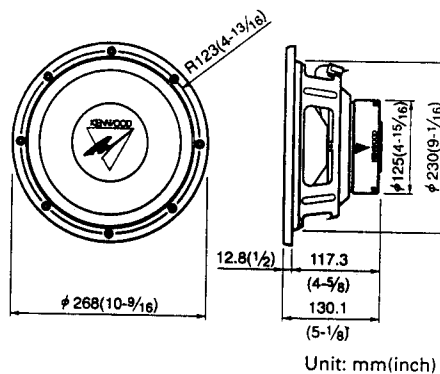
	SYMBOL	UNIT	KFC-WS252
Nominal Impedance	Z	ohms	4
DC Resistance	Revc	ohms	3.3
Voice Coil Inductance	Levc	mH	1.58
Piston Area	Sd	Sq·m	0.0347
Force Factor	BL	T·m	11.7
Volume Acoustic Compliance	Vas	liter	75.2
		Cu·ft	2.65
Moving Mass	Mms	g	74.2
Resonant Frequency	Fs	Hz	28
Mechanical Q Factor	Qms		3.59
Electrical Q Factor	Qes		0.36
Total Q Factor	Qts		0.33
Peak Power	W	Watts	450
Peak Excursion	Xmax	mm	5.2
Displacement		CC	2220
		Cu·ft	0.078
Mounthing Depth		in	4-5/8
Weight Of Magnet		oz	29.9
Voice Coil		in	2

# Dati tecnici

■ KFC-WS252	
Subwoofer	250 mm Tipo a cono in mica
Impedenza nominale	4 Ω
Picco istantaneo di ingresso	450 W
Ingresso nominale	150 W
Pressione suono emesso	91 dB/W a 1 m
Risonanza nell' aria	28 Hz
Risposta in frequenza	18 Hz ~ 3.000 Hz
Dimensioni	
Diametro	268 mm
Profondità	130,1 mm
Profondità de montaje	117,3 mm
Peso netto	2,8 kg
Parti in dotazione	vit ø 5 - 25 × 8 Distanziale × 1

## ■ Dimensions

KFC-WS252



# Recommended Enclosures

	UNIT	KFC-WS252
Width (W)	in (mm)	16-9/16 (420)
Height (H)	in (mm)	14-15/16 (380)
Depth (D)	in (mm)	7-5/16 (185)
Mounthing Hole Diameter	in (mm)	9-1/8 (232)
Displacement	Cu·ft	0.078
Box Volume	Cu·ft	0.66

Above dimensions (W, H, D) are based on 3/4 inch (19mm) thickness board.

## ■ Frequency response

KFC-WS252

